

## Dual Purpose NZP50U33-3H.2 Duoheat Pool & Underfloor

The Duoheat range of dual-purpose heat pump water heaters eliminates the need to invest in two separate heat pumps and can be used across multiple applications including: pool heating, underfloor heating and/or domestic hot water needs.

This reduces unit redundancies and minimises the overall footprint of your equipment.

### IDEAL APPLICATIONS

- Swimming pool and underfloor
- Indoor pool heating and air heating

### DUOHEAT FEATURES

- Energy efficient
- Environmentally friendly
- Easy operation
- Consistent performance from -10C to 45C
- Engineered and built in New Zealand from local and imported parts

### DUOHEAT BENEFITS

Duoheat heat pump water heaters offer the same advantages of Performance Plus heat pump water heaters with the addition of:

- Eliminating the need for investing in two or three separate heat pump water heaters
- Providing a smaller overall footprint
- Reducing equipment redundancies
- Lower capital investment over two separate units

Experience the best in heat pump water heater technology



**duoheat**

**HOT WATER HEAT PUMPS LTD**  
Advancing Water Heat Pump Technology SINCE 1980

## Dual Purpose NZP50U33-3H.2

# Technical Specifications

kW output - pool <sup>1</sup>	50
Flow rate - litre/second	5.95
Water connections	50mm PVC socket
kW output - underfloor <sup>2</sup>	33
Flow rate - litre/second	1.6
Water connections	25mm BSP Female
kW input	10.0
Power Supply	3 Phase + N & E
Circuit Breaker - 3 Pole D Curve	32 amps
Nominal compressor run amps	14.7 Per Phase
Fan full load amps	1.7 (x2)
Dimensions LxWxH - mm	1911 x 626 x 1635
Weight - kg	300
Air volume @ high speed litre/second	3,500
Sound pressure level, high dB(A) <sup>3</sup>	56/63

NB: Designs and specifications are subject to change without notice.

<sup>1</sup> kW output values are nominal ratings based on 18°C wet bulb and 28°C water temperature.

<sup>2</sup> kW output values are nominal ratings based on 8°C wet bulb and 38°C water temperature.

<sup>3</sup> Sound pressure measured at 3m in decibels re 20 µPa.

### SWIMMING POOL SIZING CHART EXTENDED SEASON\*

Coastal North Island\*

Central North Island/  
South Island\*

Commercial<sup>4</sup>  
Surface Area (m<sup>2</sup>)

Commercial<sup>4</sup>  
Surface Area (m<sup>2</sup>)

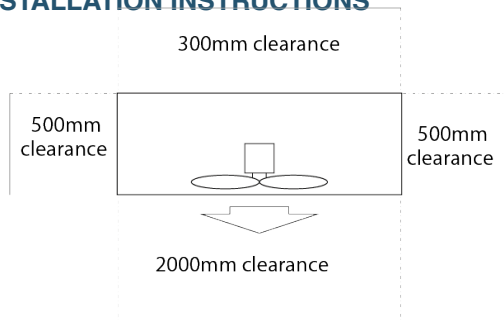
180

154

\* Extended season, New Zealand, mid-October to mid-April.

<sup>4</sup> Commercial – pool must be covered when not in use (up to 12 hours per day).

### INSTALLATION INSTRUCTIONS



3 Corban Avenue, Henderson, Auckland 0612  
PO Box 21 586, Henderson, Auckland 0650  
Phone 09 838 9444 Fax 09 838 6223  
info@waterheating.co.nz

## Why buy from Hot Water Heat Pumps Ltd

**Back up and service:** You can be assured of unprecedented after-sales service. We provide free telephone and email support on all products, for the life of the product, even if you're outside of the warranty period. With periodic maintenance, your Hot Water Heat Pumps Ltd's product will provide you with a lifetime of efficient hot water heating.

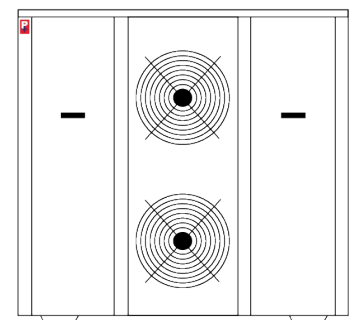
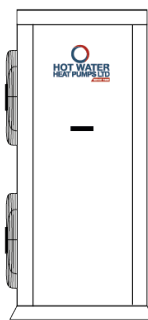
**Warranty:** All of our residential dual purpose swimming pool and underfloor heater models carry a comprehensive two year parts and labour warranty, including the compressor, evaporator coil, heat exchanger and refrigeration systems. The titanium tube within the pool heat exchanger is covered against corrosion for 10 years.



**Safety first:** Our heat pump water heaters are fitted with protection systems to prevent damage in the event of a malfunction. Such as a flow switch to ensure the heat pump cannot operate without water flow and other refrigeration safeties. If a problem is identified, the unit automatically shuts down before damage can occur.

**Energy efficient:** Government agency EECA (Energy Efficiency Conservation Authority) has listed heat pumps as one of the most energy efficient forms of heating in New Zealand.

**Clean and green:** As heat pumps use renewable energy (air), they are safer and cleaner to run than fossil fuel burners and can lower CO<sub>2</sub> emissions by up to 70% (compared to gas and diesel burners).



**HOT WATER HEAT PUMPS LTD**  
Advancing Water Heat Pump Technology SINCE 1980